

ORDERING CODE:

CI44 ** M 1 V 00
 ① ② ③ ④ ⑤ ⑥

- ① SERIES NO.:
- ② NO. OF CIRCUITS: 02 TO 15
- ③ M= SMT TYPE HEADER
- ④ PLATING OPTION:
1= Tin over Nickel plated
- ⑤ TAIL STYLE: V= STRAIGHT
- ⑥ OPTION: 00= STANDARD(TUBE PACKING)
R0= TAPE & REEL PACKING

△ Note:

* Material :

Insulation:

Nylon 46+40% G.F UL 94V-0

Color Nature(Ivory)

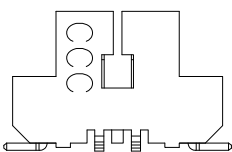
Contact : Phosphor Bronze

Fixed Tab : Brass with Tin Plated

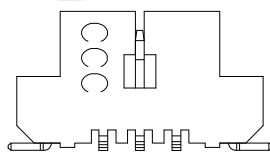
* Recommended mating part:

Housing : CI44**S0000

Terminal : CI44T011PPO



FOR 2 Circuits



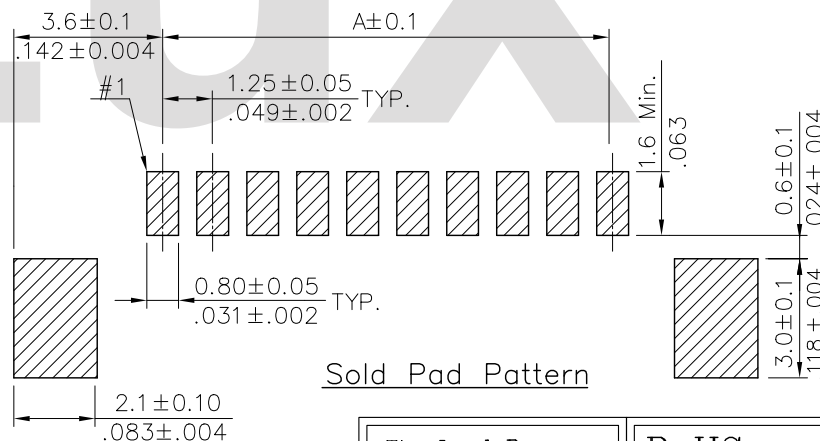
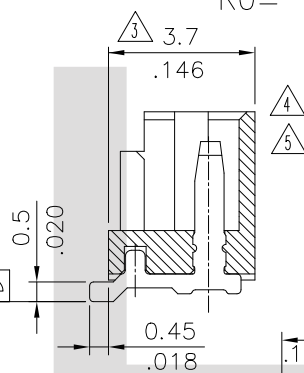
FOR 3 Circuits

A = 1.25 x No. of Spaces

B = A + 6.1

C = A + 1.9

* Available in 2 through 15 circuits



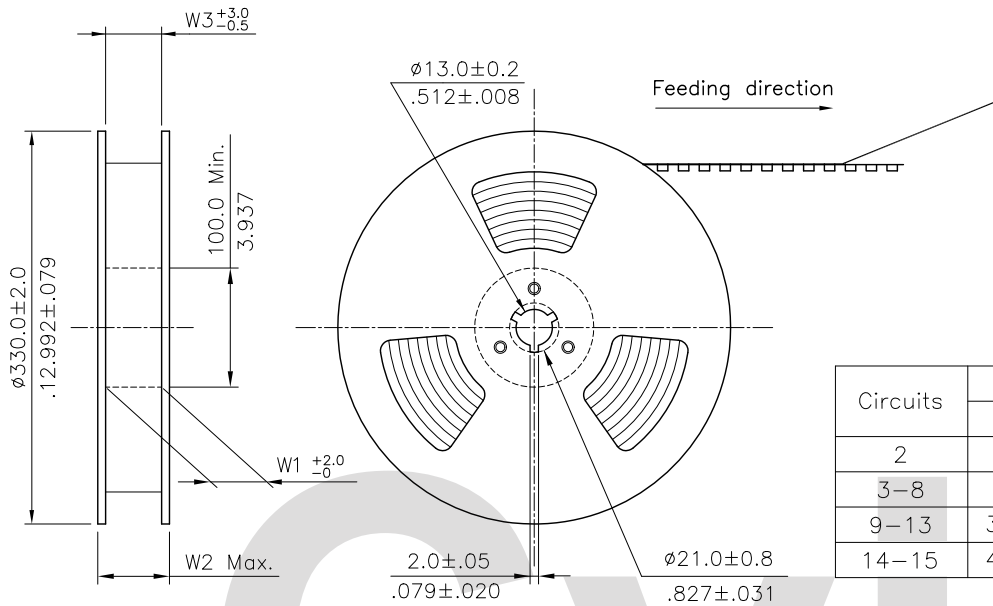
Sold Pad Pattern

Tin-Lead Process

RoHS compliant

△7	Sandy	04/29-07'	ECN07153		DATE	UNIT: mm / inch	TITLE: 1.25MM(.049") STRAIGHT SMT TYPE HEADER	
△6	Eager	02/13-07'	ECR07015-0/ECN07050		DRAWN BY: Tim	TOLERANCE UNLESS OTHERWISE SPECIFIED .X ± 0.25/.010 .X' ± 1" .XX ± 0.15/.006 .X' ± .XXX ± 0.08/.003 .XX ±	MATERIAL: FINISH:	
△9	Tim	11/09-10'	ECR10145-0/ECN10364		ENGINEER: Clark			11/22-10'
△8	Bill	7/13/07'	ECN07276		CHECKED BY: David			11/22-10'
SYM	NAME	DATE	REVISIONS		APPROVED BY: David			11/22-10'

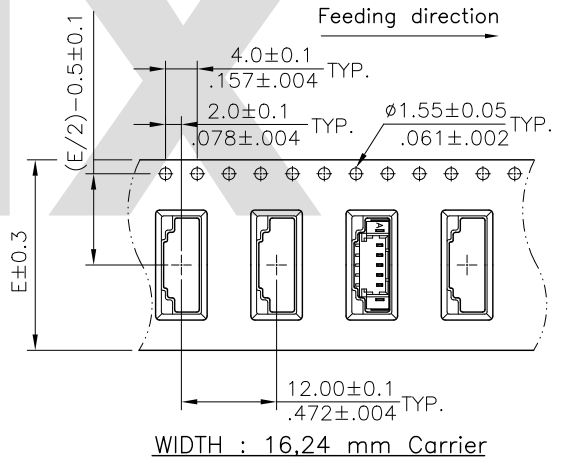
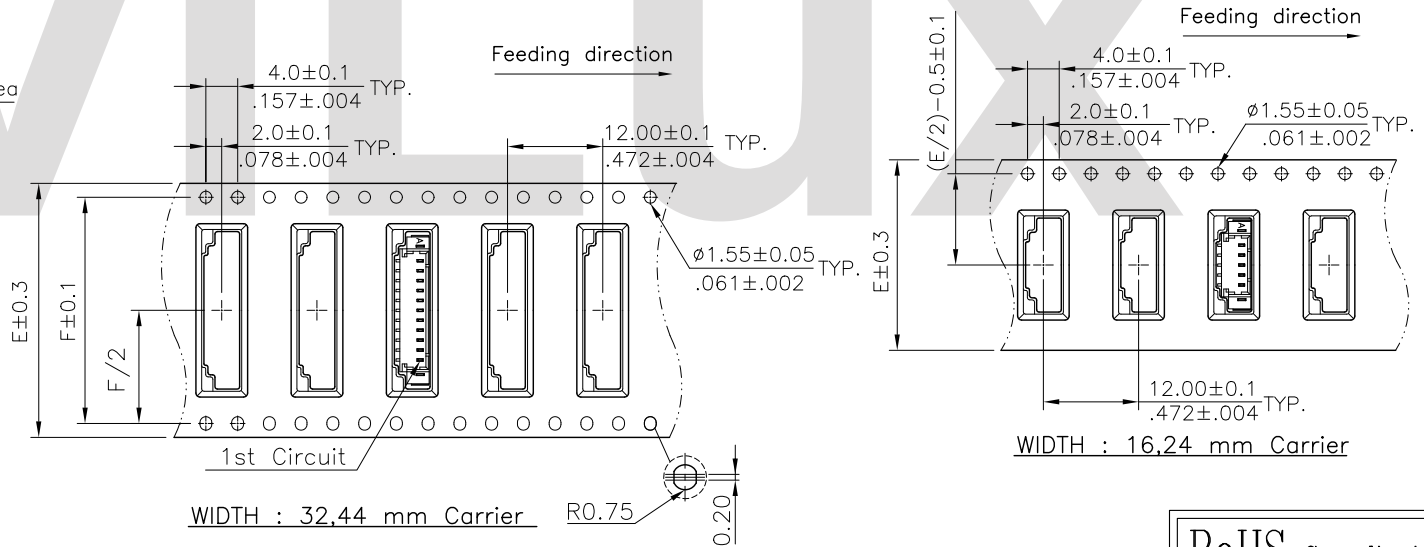
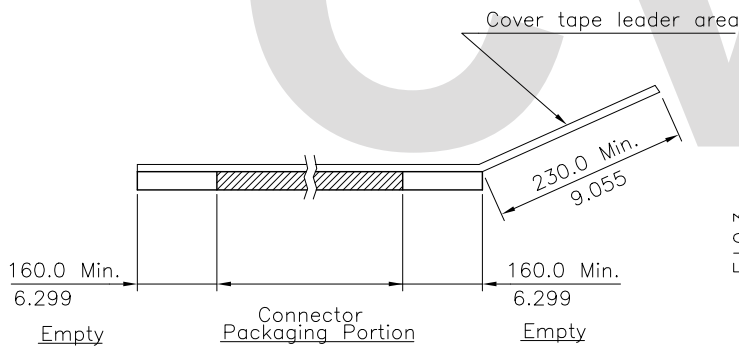
瀚荃股份有限公司 CviLux Corporation			
DRAWING NO.	CI4406SO	PART NO.	CI44**M1V**
SCALE	5 / 1	SHEET	1 OF 2





NOTE :

- * Reel Material : HIPS
- * Carrier Material : Clear, Conductive Polystyrene Alloy
- * Cover Tape Material : Polyester
- * Cover Tape Peel Strength : 0.1N – 1.3N
- * Carrier camber is within 1mm in 100mm
- * All dimensions meet EIA-481-2 & EIA-481-3 requirements.
- * Quantity : 1000 PCS/Reel

Circuits	Dimension					Packing (Reel/Caton)
	E	F	W1	W2	W3	
2	16.0(.630)	---	16.5(.650)	22.5(.886)	16.5(.650)	11
3-8	24.0(.945)	---	24.5(.965)	30.5(1.201)	24.5(.965)	9
9-13	32.0(1.260)	28.40(1.118)	32.5(1.280)	38.5(1.516)	32.5(1.280)	7
14-15	44.0(1.732)	40.40(1.591)	44.5(1.752)	50.5(1.988)	44.5(1.752)	5



RoHS Compliant

7	Sandy	04/29-07'	ECN07153	 2010.12.07 ISSUED	DATE	UNIT: mm / inch	TITLE: 1.25MM(.049") STRAIGHT SMT TYPE HEADER	 瀚荃股份有限公司 CviLux Corporation	
6	Eager	02/13-07'	ECR07015-0/ECN07050		DRAWN BY: Tim	11/9-10'	TOLERANCE UNLESS OTHERWISE SPECIFIED		MATERIAL:
9	Tim	11/09-10'	ECR10145-0/ECN10364		ENGINEER: Clark	11/22-10'	.X ± .X' ± 1'		
8	Bill	7/13/07'	ECN07276		CHECKED BY: David	11/22-10'	.XX ± .X' ±	FINISH:	DRAWING NO. CI4406SO PART NO. CI44**M1V**
SYM	NAME	DATE	REVISIONS		APPROVED BY: David	11/22-10'	.XXX ± .XX' ±		SCALE SHEET 2 OF 2