

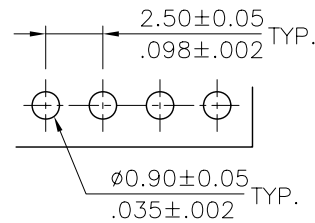
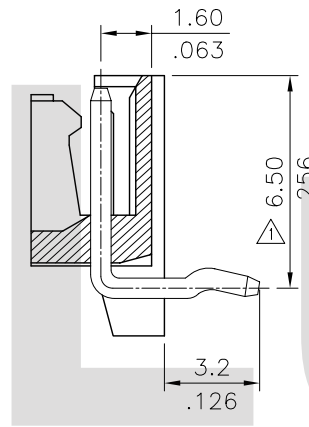
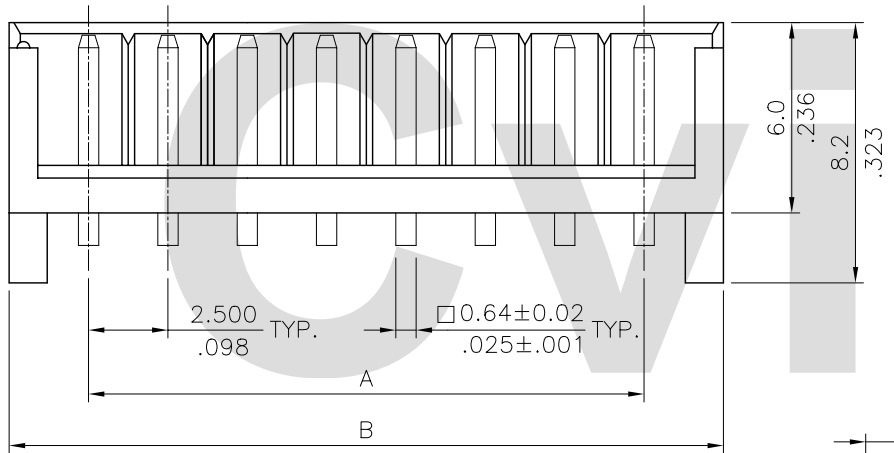
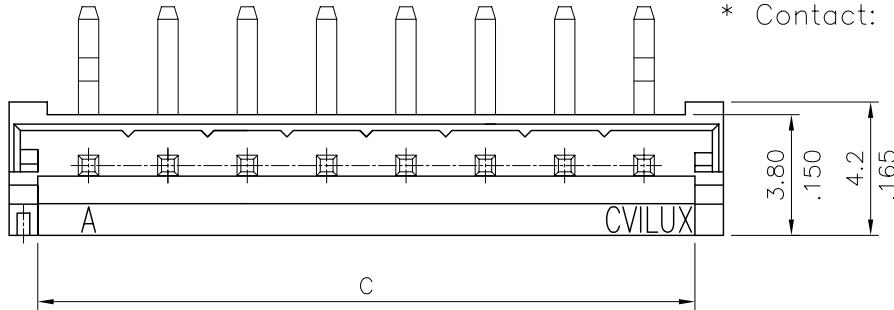
Material:

- \* Insulation: Nylon 66 UL 94V-0 Color Nature
- \* Contact: Brass

Ordering Code:

CI21 \*\* P 1 H K0  
① ② ③ ④ ⑤ ⑥

- ① Series No.
- ② No. of Circuits
- ③ Contact type: P= Pin header
- ④ Plating option:  
1= 3.05μm(120μ") Min. Tin  
over 0.76μm(30μ") Nickel
- ⑤ Type: H= Right Angle
- ⑥ Other Option: K0= With Pin Kinked(Standard)  
00= Without Pin Kinked



Circuits	Dimension		
	A	B	C
2	2.50(.098)	7.5(.295)	5.70(.224)
3	5.00(.197)	10.0(.394)	8.20(.323)
4	7.50(.295)	12.5(.492)	10.70(.421)
5	10.00(.394)	15.0(.591)	13.20(.520)
6	12.50(.492)	17.5(.689)	15.70(.618)
7	15.00(.591)	20.0(.787)	18.20(.717)
8	17.50(.689)	22.5(.886)	20.70(.815)
9	20.00(.787)	25.0(.984)	23.20(.913)
10	22.50(.886)	27.6(1.087)	25.70(1.012)
11	25.00(.984)	30.1(1.185)	28.20(1.110)
12	27.50(1.083)	32.6(1.284)	30.70(1.209)
13	30.00(1.181)	35.1(1.382)	33.20(1.307)
14	32.50(1.280)	37.6(1.480)	35.70(1.406)
15	35.00(1.378)	40.1(1.579)	38.20(1.504)

Recommended P.C. Board Layout

RoHS Compliant

④																			
③																			
②	SUN	10/26/04	ECN04403		DRAWN BY:	Sun	06/02-06'	UNIT: mm / inch TOLERANCE UNLESS OTHERWISE SPECIFIED .X ± 0.30/.012 X' ± 1" .XX ± 0.20/.008 X' ± .XXX ± 0.10/.004 .XX' ±	TITLE:	2.50MM(.098") RIGHT ANGLE PIN HEADERS	瀚荃股份有限公司 CviLux Corporation	DRAWING NO.	CI2103SI	PART NO.	CI21**P1HK0				
①	SUN	8/29/03'	ECN03265		ENGINEER:	Eisley	06/02-06'		MATERIAL:										
SYM	NAME	DATE	REVISIONS		CHECKED BY:	David	06/02-06'		FINISH:										
				APPROVED BY:	Alex	06/02-06'		SCALE	4 / 1		SHEET	1	OF	1					