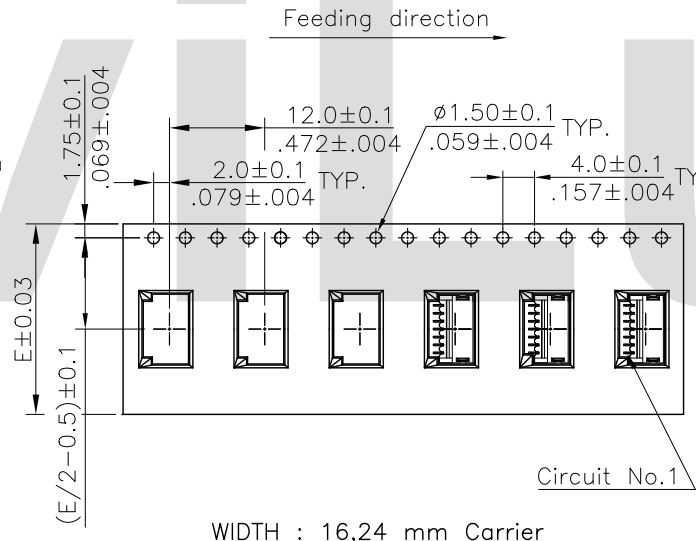
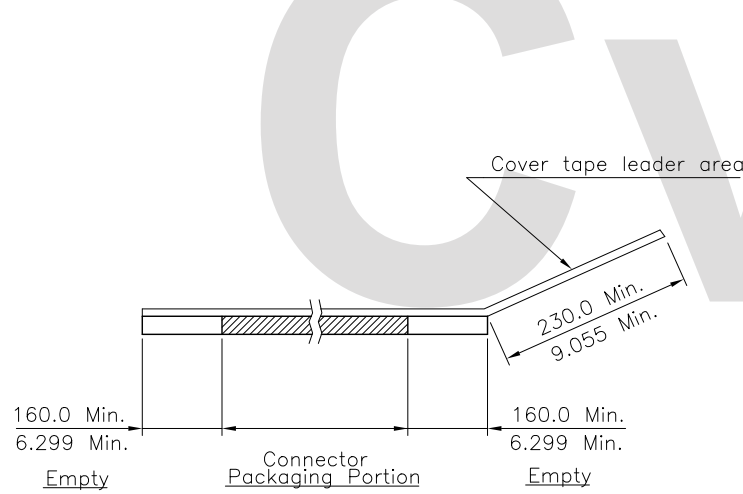
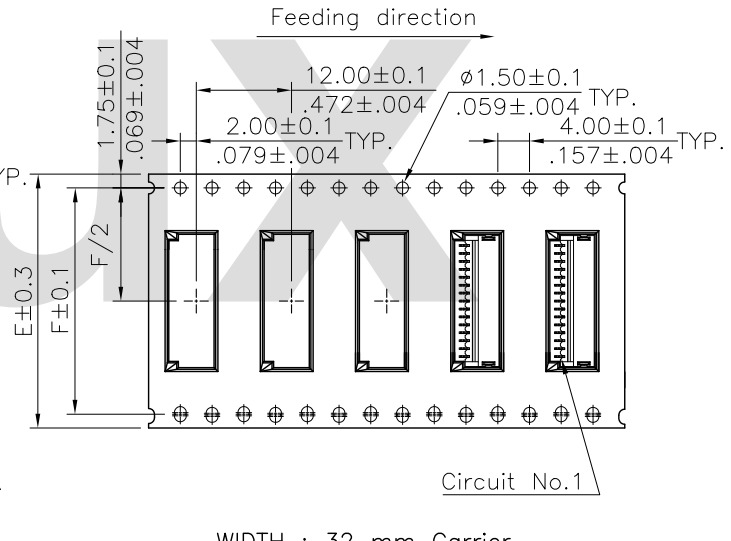


- NOTES:
1. 10 sprocket hole pitch cumulative tolerance ± 0.20
 2. Carrier camber is within 1 mm in 250 mm.
 3. Material :Transparent ps.
 4. All dimensions meet EIA-481-B requirements.
 5. Thickness : 0.35 ± 0.05 mm.
 6. Packing length per 22" Reel : 67.2 Meters.
 7. Component load per 13" Reel : 1600 pcs.

Circuits	Dimension					Packing (Reel/Carton)
	E	F	W1	W2	W3	
2-5	16.0(.630)	-	16.5(.650)	22.5(.886)	16.5(.650)	11
6-12	24.0(.945)	-	24.5(.965)	30.5(1.200)	24.5(.965)	9
13-20	32.0(1.260)	28.40(1.118)	32.5(1.280)	38.5(1.516)	32.5(1.280)	7



WIDTH : 16,24 mm Carrier



WIDTH : 32 mm Carrier

RoHS Compliant

4					DATE	UNIT: mm / inch	TITLE: 1.00MM(.039")	瀚荃股份有限公司 CviLux Corporation			
3					DATE	TOLERANCE UNLESS OTHERWISE SPECIFIED	WIRE TO BOARD CONNECTOR				
2	Tim	12/20-10'	ECN10402	2011.01.04 ISSUED	DRAWN BY: Tim	12/20-10'	MATERIAL:	DRAWING NO.	CI1410SC	PART NO.	CI14**M1HRL-NH
1	Tim	10/21-10'	ECN10350		ENGINEER: Eisley	12/27-10'	CUSTOMER:	SCALE		SHEET	2 OF 2
SYM	NAME	DATE	REVISIONS		CHECKED BY: Eisley	12/27-10'					
					APPROVED BY: David	12/27-10'					