

Material:

Base: Glass filled Polyamide UL 94V-0
,Color Nature(White)

Contact: Copper alloy with Tin plated

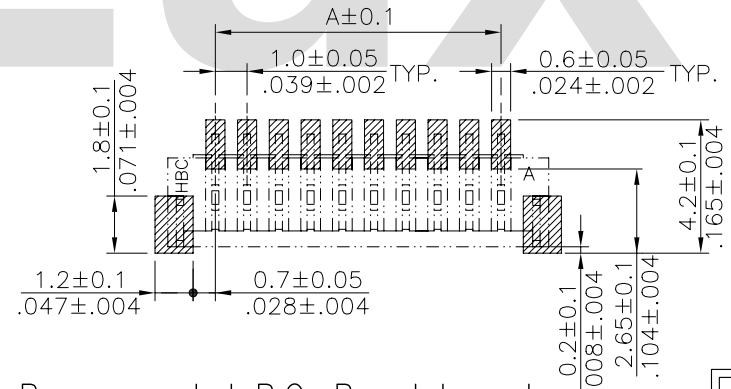
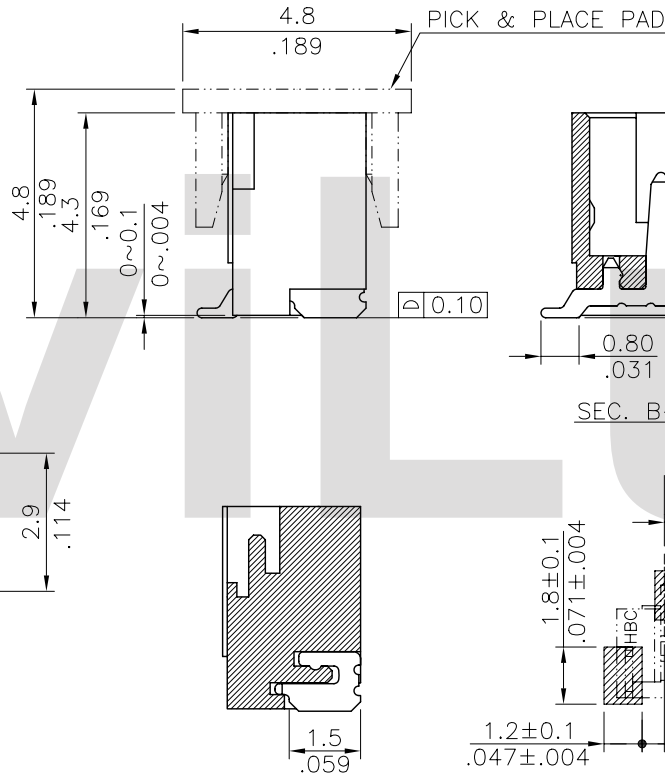
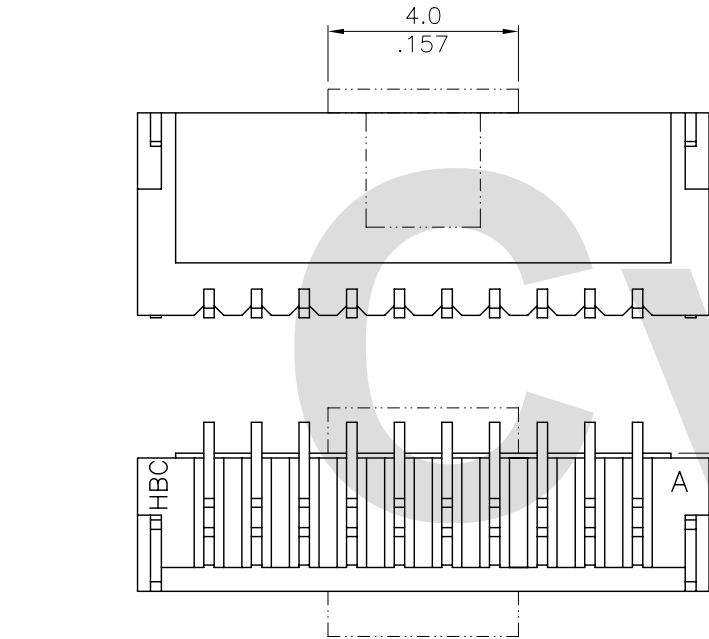
Tab: Copper alloy with Tin plated

△ PAD: High Temperature Plastic UL 94V-0
,Color Nature

ORDERING CODE

CI11 10 M 1 V R0
① ② ③ ④ ⑤ ⑥

- ① Series No.
- ② Contacts:
- ③ M= SMT type header
- ④ Plating:
1= 100μ" Min. Tin Plated
over 50μ" Nickel
- ⑤ Type: V= Straight
- ⑥ Other option:
R0= Tape & reel packing
(With pick & place pad)(Standard)
RN= Tape & reel packing
(without pack & place pad)
T0= Tube packing
(without pack & place pad)



DIM. A = 1.00 × NO. OF SPACES

DIM. B = DIM. A + 3.0

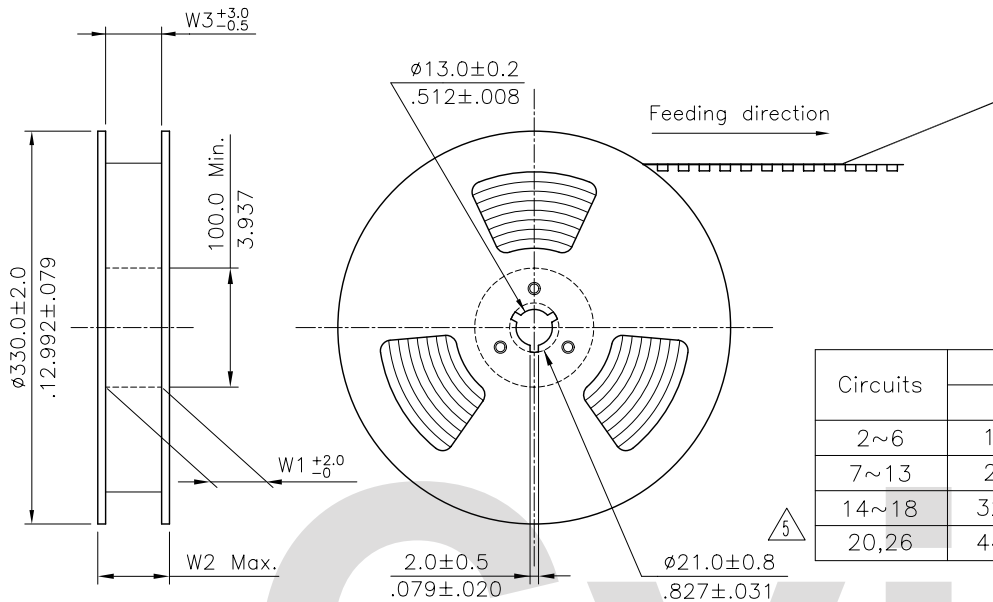
△ * AVAILABLE IN 2 THROUGH 18,20 AND 26 CIRCUITS SEC. A-A

Recommended P.C. Board Layout

RoHS Compliant

⑥	Sandy	2/19-09'	ECN09066/ECR08097-0		DATE	UNIT: mm / inch	TITLE: 1.00MM(.079")	瀚荃股份有限公司 CviLux Corporation
⑤	Sandy	9/4-08'	ECN08430	DRAWN BY: Sandy	2/25-09'	TOLERANCE UNLESS OTHERWISE SPECIFIED	WIRE TO BOARD CONNECTOR	
④	Sandy	4/29-07'	ECN07153	ENGINEER: Easley	3/02-09'	.X ± 0.30/012 .X' ± 1"	MATERIAL:	DRAWING NO. CI1102SG PART NO. CI11**M1V**
③	Sandy	4/26/06'	ECN06142	CHECKED BY: Easley	3/02-09'	.XX ± 0.20/008 .X" ±	FINISH:	
SYM	NAME	DATE	REVISIONS	APPROVED BY: Alex	3/02-09'	.XXX ± 0.10/004 .XX" ±		SCALE 6 / 1 SHEET 1 OF 2

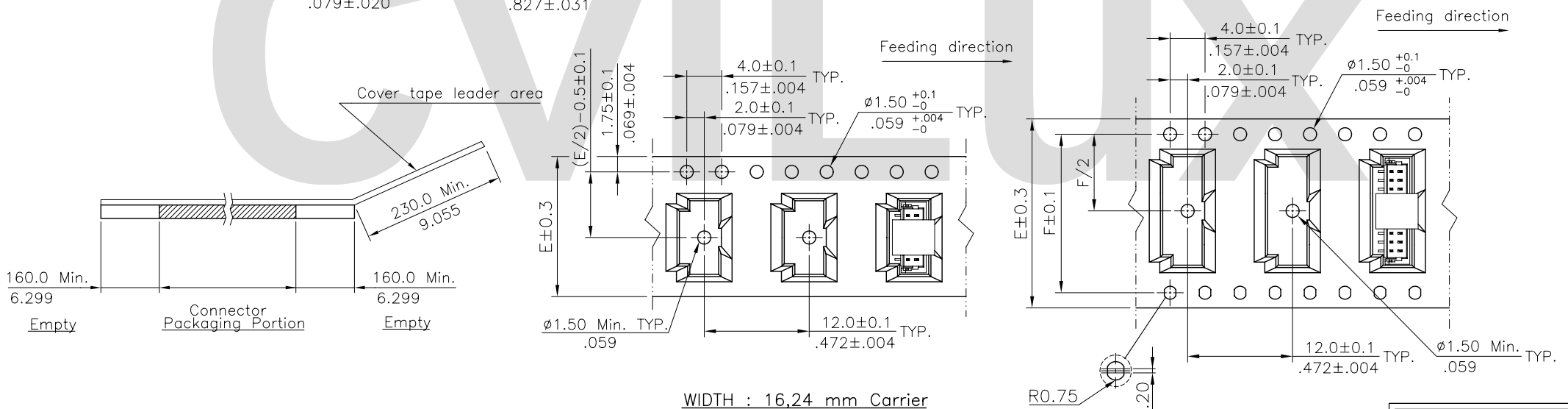




NOTE :

- * Reel Material : HIPS
- * Carrier Material : Clear, Conductive Polystyrene Alloy
- * Cover Tape Material : Polyester
- * Cover Tape Peel Strength : 0.1N – 1.3N
- * Carrier camber is within 1mm in 100mm
- * All dimensions meet EIA-481-2 & EIA-481-3 requirements.
- * Quantity : 1000 PCS/Reel


Circuits	Dimension					Packing (Reel/Caton)
	E	F	W1	W2	W3	
2~6	16.0(.630)	-	16.5(.650)	22.5(.886)	16.5(.650)	11
7~13	24.0(.945)	-	24.5(.965)	30.5(1.201)	24.5(.965)	9
14~18	32.0(1.260)	28.40(1.118)	32.5(1.280)	38.5(1.516)	32.5(1.280)	7
20,26	44.0(1.732)	40.40(1.591)	44.5(1.752)	50.5(1.988)	44.5(1.752)	5



WIDTH : 16,24 mm Carrier

WIDTH : 32,44 mm Carrier

RoHS Compliant

△6	Sandy	2/19-09'	ECN09066/ECR08097-0		DATE	UNIT: mm / inch	TITLE: 1.00MM(.079")	 瀚荃股份有限公司 CviLux Corporation
△5	Sandy	9/4-08'	ECN08430	DRAWN BY: Sandy	2/25-09'	TOLERANCE UNLESS OTHERWISE SPECIFIED	WIRE TO BOARD CONNECTOR	
△4	Sandy	4/29-07'	ECN07153	ENGINEER: Easley	3/02-09'	.X ±	X' ± 1'	MATERIAL: FINISH:
△3	Sandy	4/26/06'	ECN06142	CHECKED BY: Easley	3/02-09'	.XX ±	.X' ±	
SYM	NAME	DATE	REVISIONS	APPROVED BY: Alex	3/02-09'	.XXX ±	.XX' ±	DRAWING NO. CI1102SG PART NO. CI11**M1V** SCALE SHEET 2 OF 2


2009.03.03
ISSUED