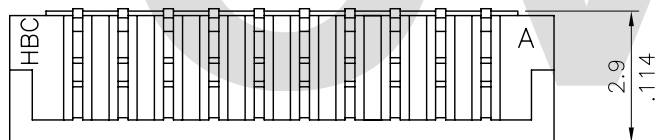
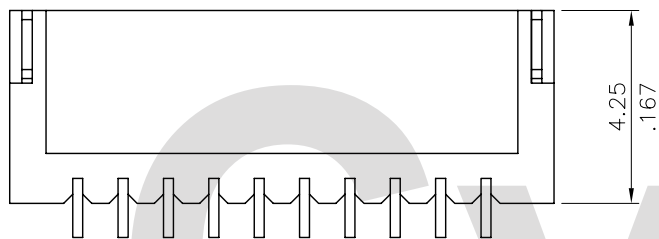


Circuit No.1



Material:

Base: Glass filled Polyamide UL 94V-0
,Color Nature

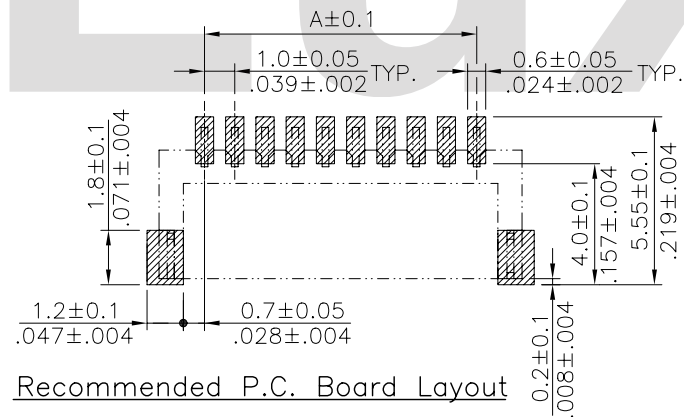
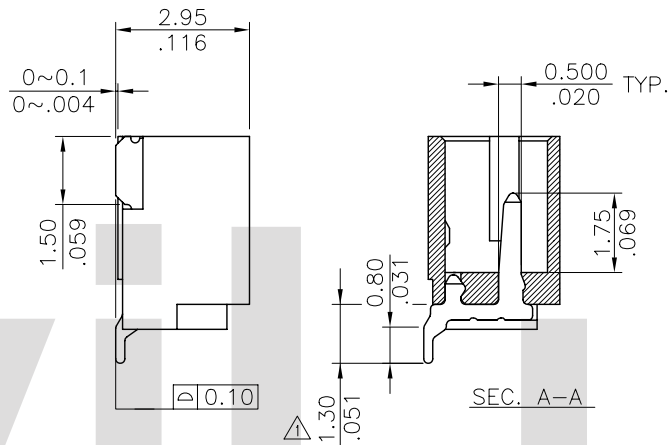
Contact: Copper alloy

Tab: Copper alloy with Tin plated

ORDERING CODE

CI11 10 M 1 H R 0
① ② ③ ④ ⑤ ⑥ ⑦

- ① Series No.
- ② Contacts:
- ③ M= SMT type header
- ④ Plating:
1= 100μ" Min. Tin Plated
over 50μ" Nickel
- ⑤ Type: H= Side Entry
- ⑥ Packing option:
R= Tape & reel packing
T= Tube packing
- ⑦ Other option: 0= Standard



Recommended P.C. Board Layout

DIM. A = 1.00 x NO. OF SPACES
DIM. B = DIM. A + 3.0

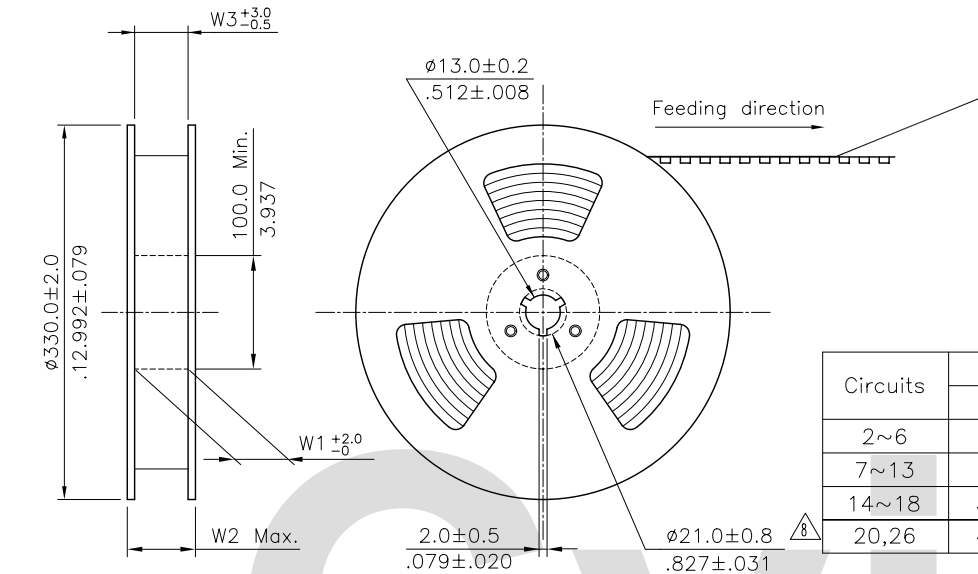
⚠⚠⚠ * AVAILABLE IN 2 THROUGH 18,20 AND 26 CIRCUITS

RoHS Compliant

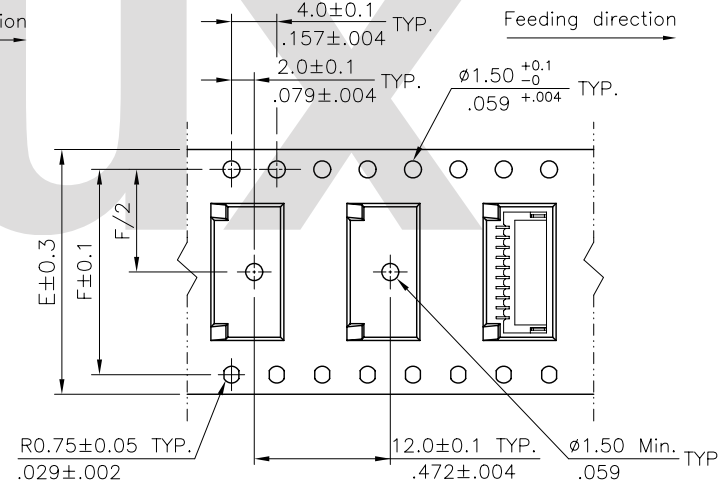
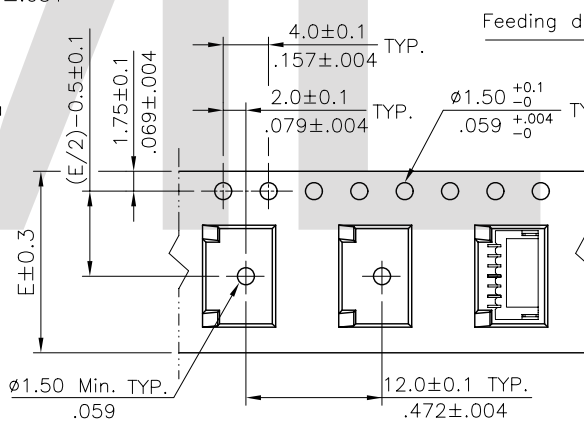
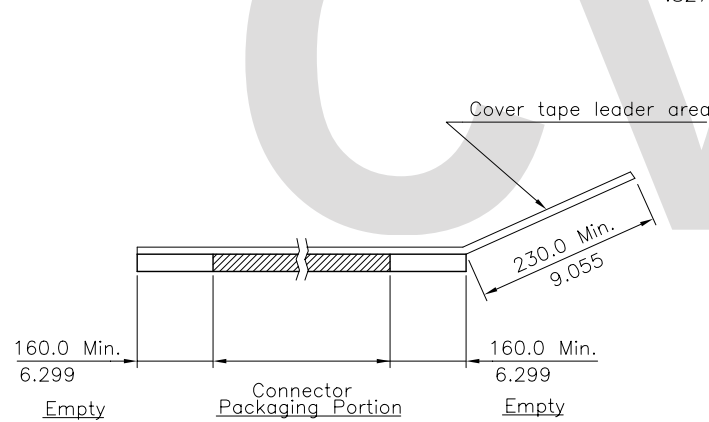
⑨	Hank	2/25-09'	ECR09013-0/ECN09078				DATE	UNIT: mm / inch		TITLE: 1.00MM(.079") WIRE TO BOARD CONNECTOR			瀚荃股份有限公司 CviLux Corporation		
⑧	Sandy	9/4-08'	ECN08430		DRAWN BY: Hank	2/25-09'	TOLERANCE UNLESS OTHERWISE SPECIFIED		MATERIAL:		DRAWING NO.		CI1101SK	PART NO.	CI11**M1H*0
⑦	Sandy	2/22-08'	ECN08103		ENGINEER: Easley	2/26-09'	.X ± 0.30/.012	X' ± r'	FINISH:		SCALE		6 / 1	SHEET	1 OF 2
⑥	Sandy	04/29-07'	ECN07153		CHECKED BY: Easley	2/26-09'	.XX ± 0.20/.008	.X' ±							
SYM	NAME	DATE	REVISIONS		APPROVED BY: Alex	2/26-09'	.XXX ± 0.10/.004	.XX' ±							

NOTE :

- * Reel Material : HIPS
- * Carrier Material : Clear, Conductive Polystyrene Alloy
- * Cover Tape Material : Polyester
- * Cover Tape Peel Strength : 0.1N – 1.3N
- * Carrier camber is within 1mm in 100mm
- * All dimensions meet EIA-481-2 & EIA-481-3 requirements.
- * Quantity : 1500 PCS/Reel



Circuits	Dimension					Packing (Reel/Caton)
	E	F	W1	W2	W3	
2~6	16.0(.630)	-	16.5(.650)	22.5(.886)	16.5(.650)	11
7~13	24.0(.945)	-	24.5(.965)	30.5(1.200)	24.5(.965)	9
14~18	32.0(1.260)	28.40(1.118)	32.5(1.280)	38.5(1.516)	32.5(1.280)	7
20,26	44.0(1.732)	40.40(1.596)	44.5(1.752)	50.5(1.988)	44.5(1.752)	5



WIDTH : 16,24 mm Carrier

WIDTH : 32,44 mm Carrier

RoHS Compliant

9	Hank	2/25-09'	ECR09013-0/ECN09078	 2009.03.10 ISSUED	DATE	UNIT: mm / inch	TITLE: 1.00MM(.079")	 瀚荃股份有限公司 CviLux Corporation	
8	Sandy	9/4-08'	ECN08430		DRAWN BY: Hank	2/25-09'	TOLERANCE UNLESS OTHERWISE SPECIFIED		WIRE TO BOARD CONNECTOR
7	Sandy	2/22-08'	ECN08103		ENGINEER: Eisley	2/26-09'	.X ±		X' ± 1'
6	Sandy	04/29-07'	ECN07153		CHECKED BY: Eisley	2/26-09'	.XX ±		.X' ±
SYM	NAME	DATE	REVISIONS		APPROVED BY: Alex	2/26-09'	.XXX ±		.XX' ±
								MATERIAL:	
								FINISH:	
		DRAWING NO.	C11101SK	PART NO.	C111**M1H*0		SCALE	SHEET 2 OF 2	