

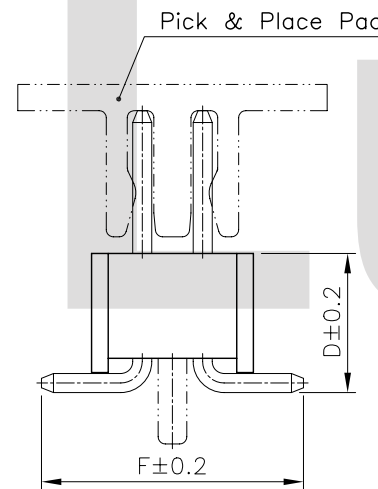
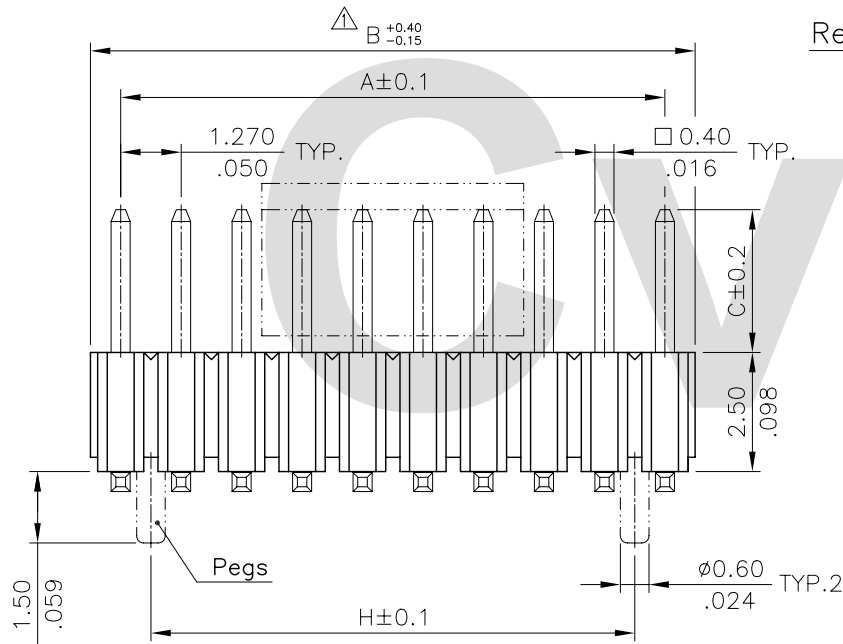
Material:

- \* Insulator: Nylon 6T With 30% GF.  
UL 94V-0 Color Black
- \* Square Pin: Brass
- \* Pegs: Brass , Tin plated
- \* Pick & Place Pad:  
Nylon 6T  
UL 94V-0 Color Nature

Ordering Code:

CH52 \*\* \* M 1 \*\* - \* \*  
① ② ③ ④ ⑤ ⑥ ⑦ ⑧

Recommended P.C. Boared Layout



DIM. A = 1.27 X No. of Spaces  
DIM. B = DIM. A + 1.27  
DIM. H = DIM. A - 1.27

\* Available in 6 through 100 Circuits

- ① Series No.
- ② No. of Contact: 06 to 100(X1=100)
- ③ Plating code:  
2=Gold Flash plated over  
1.27µm(50µ") Nickel  
3=0.38µm(15µ") Gold plated  
over 1.27µm(50µ") Nickel  
4=0.76µm(30µ") Gold plated  
over 1.27µm(50µ") Nickel
- ④ Tail & Mounting Style:  
M=Straight SMT Type
- ⑤ Insulator Material & Color:  
1=Nylon 6T , Color Black
- ⑥ Option Code:  
See Table PDF. File No. CH5203T
- ⑦ 0=Without Peg  
P=With Peg
- ⑧ 0=Without Pick & Place Pad  
(Tube packaged)  
P=With Pick & Place Pad  
(Tape & Reel packing)

RoHS Compliant

CVILUX.CORP  
2004.08.31  
ISSUED

④					DATE	UNIT: mm / inch	TITLE: 1.27mm(.050") DUAL ROW SURFACE BOARD MOUNT PIN HEADER	瀚荃股份有限公司 CviLux Corporation
③				DRAWN BY: Sandy	8/27 04'	TOLERANCE UNLESS OTHERWISE SPECIFIED	MATERIAL:	
②				ENGINEER: Eisley	8/30 04'	.X ± 0.25/.010 X' ± 1'	FINISH:	DRAWING NO. CH5203SC PART NO. CH52***M1**-**
①	Sandy	08/27/04'	ECN04327	CHECKED BY: David	8/30 04'	.XX ± 0.15/.006 .X' ±		SCALE 6 / 1 SHEET 1 OF 1
SYM	NAME	DATE	REVISIONS	APPROVED BY: Alex	8/30 04'	.XXX ± 0.08/.003 .XX' ±		