

Material :

* Body : NYLON 46 With 40% GF. UL 94V-0, Color Nature

⑤ * Slider : NYLON 6T With 30% GF. UL 94V-0, Color Black

* Contact : Phosphor Bronze, With Matte Tin plated

* Fixed tab : Brass, With Tin plated

Ordering Code

CF20 50 1 V 0 R 0
 ① ② ③ ④ ⑤ ⑥ ⑦

① Series No.

② No. of Circuits

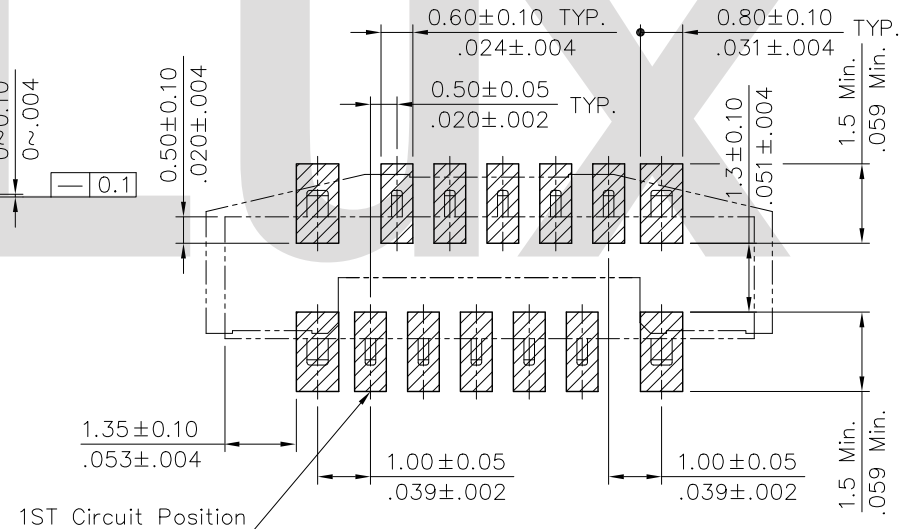
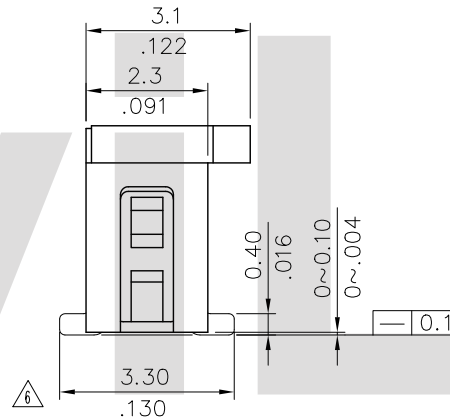
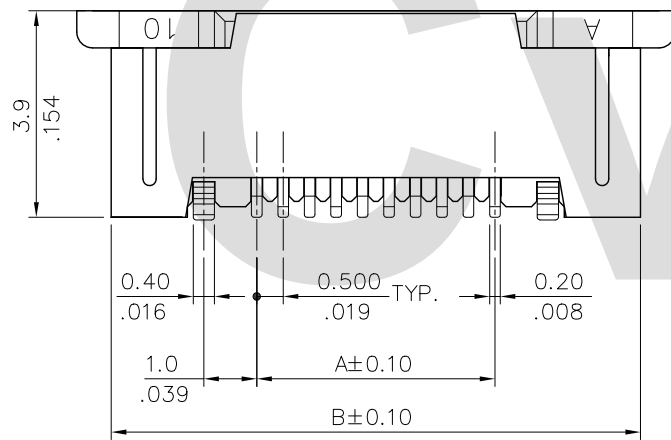
③ Plating code: 1= 3.05μm(120μ") Min. Matte Tin over 0.76μm(30μ") Nickel

④ Contact style: V= Vertical Type

⑤ Color: 0= Nature

⑥ Packing Type: R= Tape & Reel; T= Tube Packing

⑦ Other options: 0 = Standard



A = 0.50 x No. of Spaces

B = A + 5.5

C = A + 1.2

D = A + 6.8

* Available in 4 through 50 circuits

1ST Circuit Position

Sold Pad Pattern

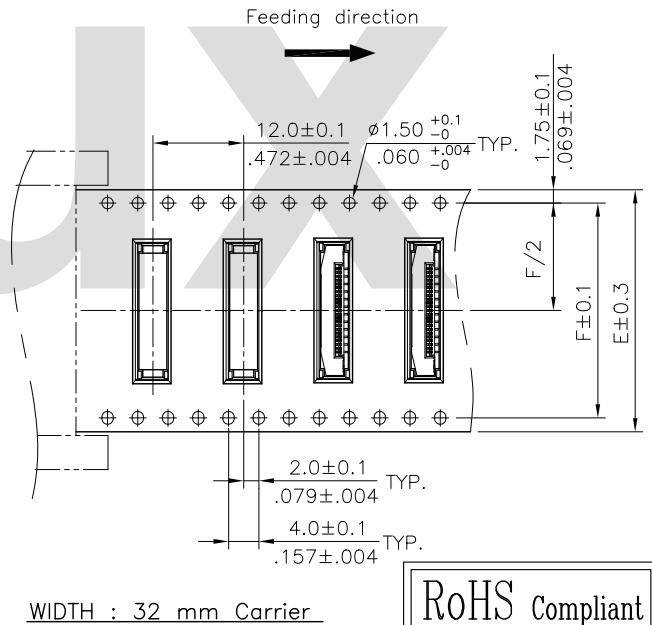
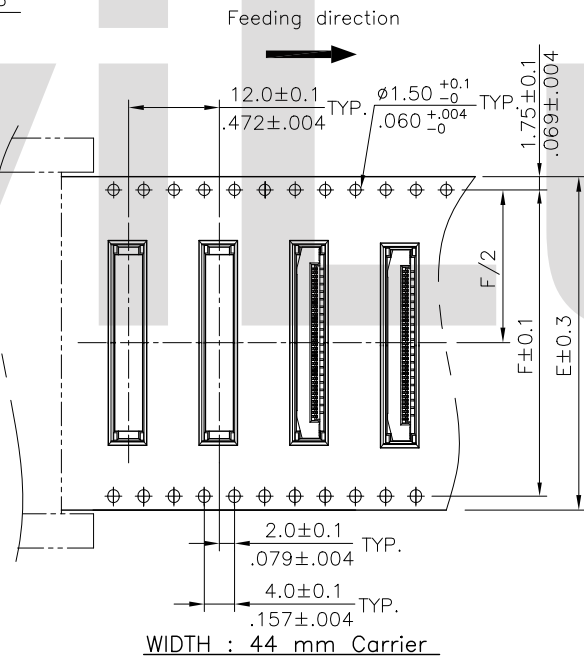
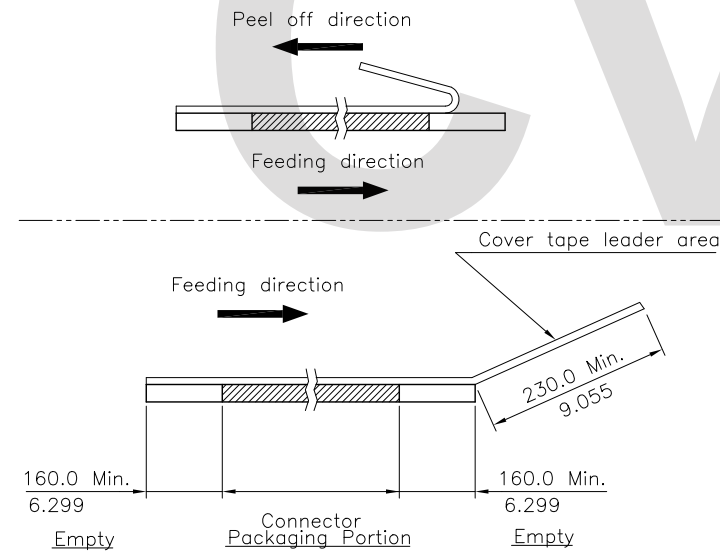
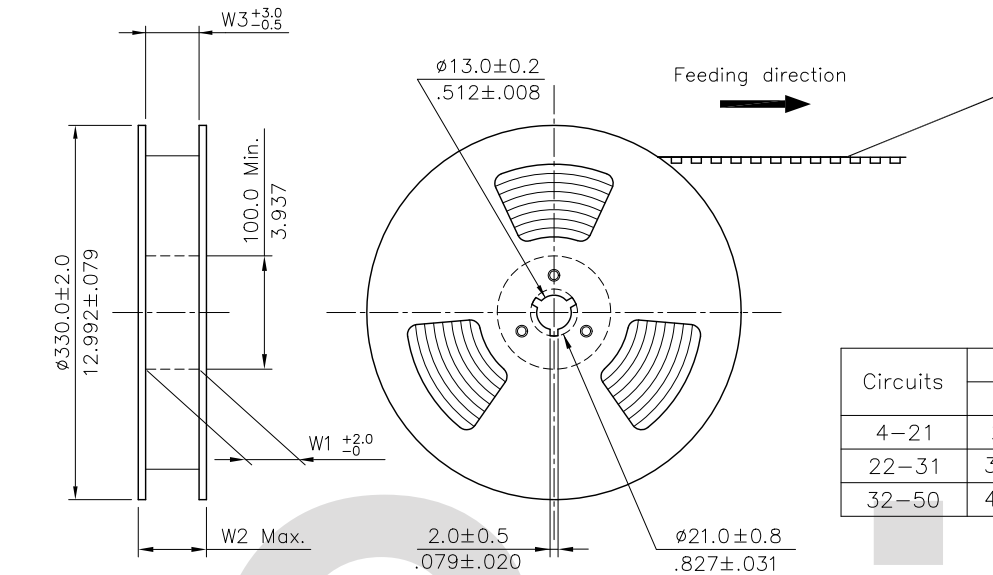
Tin-Lead Process RoHS Compliant

⑥	Una	8/11-10'	ECN10283		DATE	UNIT: mm / inch	TITLE: 0.50mm(.020") ZIF FFC/PC VERTICAL TYPE SURFACE MOUNT CONNECTOR MATERIAL: FINISH:	瀚荃股份有限公司 CviLux Corporation	DRAWING NO.	CF2007SF	PART NO.	CF20**1V0*0		
⑤	Sun	6/18-10'	ECR10045-1/ECN10216		DRAWN BY:	Una			8/11-10'	TOLERANCE UNLESS OTHERWISE SPECIFIED .X ± 0.15/.006 X* ± 1" .XX ± 0.10/.004 .X* ± .XXX ± 0.05/.002 .XX* ±	SCALE	7 / 1	SHEET	1 OF 2
④	Sandy	9/03-07'	ECN07362/ECR07058-1		ENGINEER:	Eisley			8/15-10'					
③	Sandy	4/29-07'	ECN07153		CHECKED BY:	David			8/15-10'					
SYM	NAME	DATE	REVISIONS		APPROVED BY:	David			8/15-10'					

NOTE :

- * Reel Material : HIPS
- * Carrier Material : Clear, Conductive Polystyrene Alloy
- * Cover Tape Material : Polyester
- * Cover Tape Peel Strength : 0.1N – 1.3N
- * Carrier camber is within 1mm in 100mm
- * All dimensions meet EIA-481-2 & EIA-481-3 requirements.
- * Quantity : 1000 PCS/Reel

Circuits	Dimension					Packing (Reel/Caton)
	E	F	W1	W2	W3	
4-21	24.0(.945)	-	24.5(.965)	30.5(1.200)	24.5(.965)	9
22-31	32.0(1.260)	28.40(1.118)	32.5(1.280)	38.5(1.516)	32.5(1.280)	7
32-50	44.0(1.732)	40.40(1.596)	44.5(1.752)	50.5(1.988)	44.5(1.752)	5



RoHS Compliant

6	Una	8/11-10'	ECN10283		DATE	UNIT: mm / inch	TITLE: 0.50mm(.020") ZIF FFC/FPC VERTICAL TYPE SURFACE MOUNT CONNECTOR	 瀚荃股份有限公司 CviLux Corporation	
5	Sun	6/18-10'	ECR10045-1/ECN10216		DRAWN BY: Una	8/11-10'			TOLERANCE UNLESS OTHERWISE SPECIFIED
4	Sandy	9/03-07'	ECN07362/ECR07058-1		ENGINEER: Eisley	8/15-10'	.X ± X' ± 1'		MATERIAL:
3	Sandy	4/29-07'	ECN07153		CHECKED BY: David	8/15-10'	.XX ± .X' ±		FINISH:
SYM	NAME	DATE	REVISIONS		APPROVED BY: David	8/15-10'	.XXX ± .XX' ±		DRAWING NO. CF2007SF
								SCALE	SHEET 2 OF 2