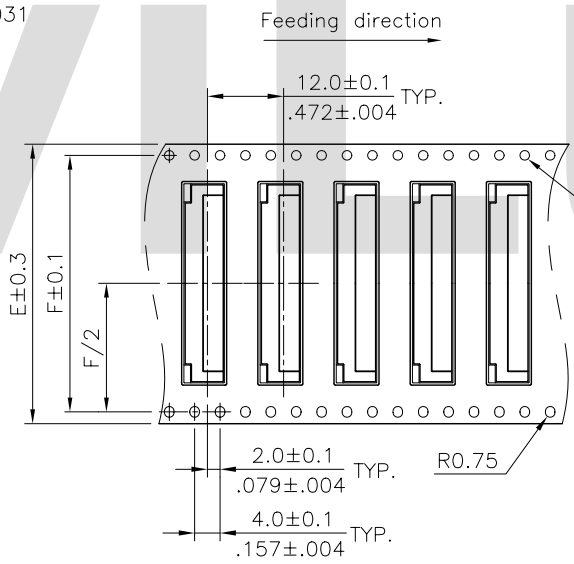
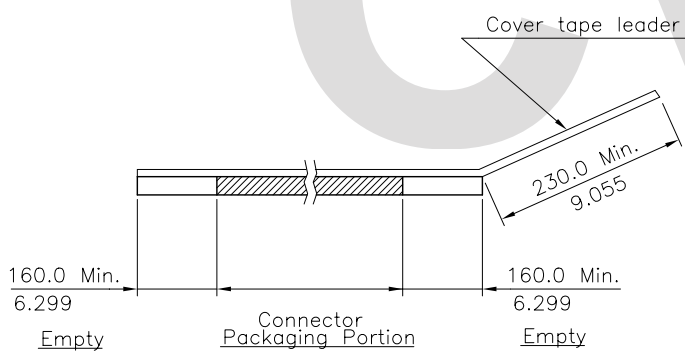


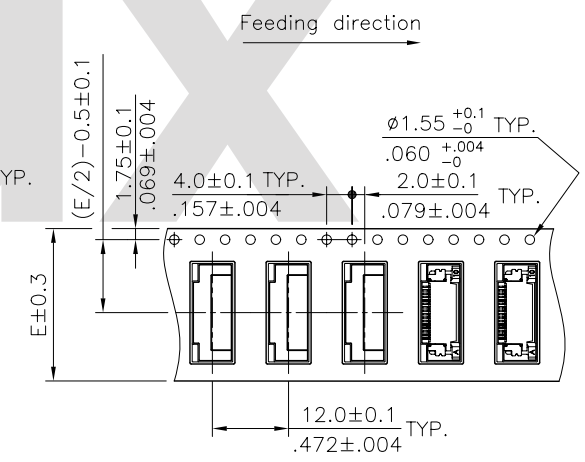
NOTE :

- * Reel Material : HIPS
- * Carrier Material : Clear, Conductive Polystyrene Alloy
- * Cover Tape Material : Polyester
- * Cover Tape Peel Strength : 0.1N – 1.3N
- * Carrier camber is within 1mm in 100mm
- * All dimensions meet EIA-481-2 & EIA-481-3 requirements.
- * Quantity : 2000 PCS/Reel

Circuits	Dimension					Packing (Reel/Caton)
	E	F	W1	W2	W3	
4-21	24.0(.945)	-	24.5(.965)	30.5(1.200)	24.5(.965)	9
22-31	32.0(1.260)	28.40(1.118)	32.5(1.280)	38.5(1.516)	32.5(1.280)	7
32-52	44.0(1.732)	40.40(1.596)	44.5(1.752)	50.5(1.988)	44.5(1.752)	5
53-55	56.0(2.205)	52.40(2.063)	56.5(2.224)	62.5(2.461)	56.5(2.224)	4



WIDTH : 32,44,56 mm Carrier



WIDTH : 24 mm Carrier

RoHS Compliant

7	Sandy	11/26-08	ECN08577		DATE	UNIT: mm / inch	TITLE: 0.50mm(.031") ZIF FFC/FPC UPSIDE CONTACT SURFACE MOUNT CONNECTOR	瀚荃股份有限公司 CviLux Corporation	
6	Sandy	1/28-08	ECN08024/ECR08004-1		DRAWN BY: Sandy	11/26-08'			TOLERANCE UNLESS OTHERWISE SPECIFIED
5	Sandy	9/22-07	ECN07381/ECR07065-1		ENGINEER: Easley	12/1-08'			.X ± X' ± 1'
4	Sandy	4/27-07	ECN07153		CHECKED BY: David	12/1-08'	.XX ± .X ±	MATERIAL:	
SYM	NAME	DATE	REVISIONS		APPROVED BY: Alex	12/1-08'	.XXX ± .XX ±	FINISH:	DRAWING NO. CF2002SG
								PART NO. CF20***U0T0 CF20***U0R0	
								SCALE	SHEET 2 OF 2