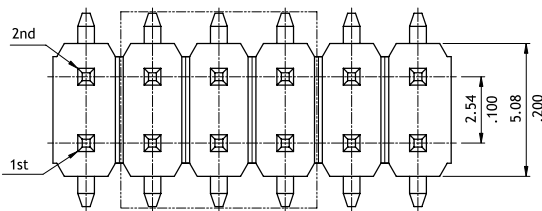


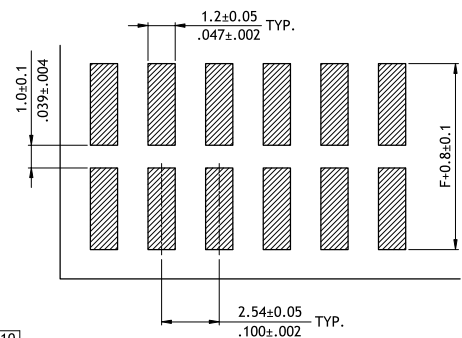
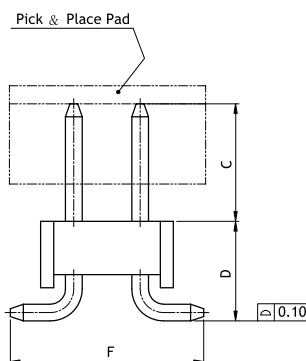
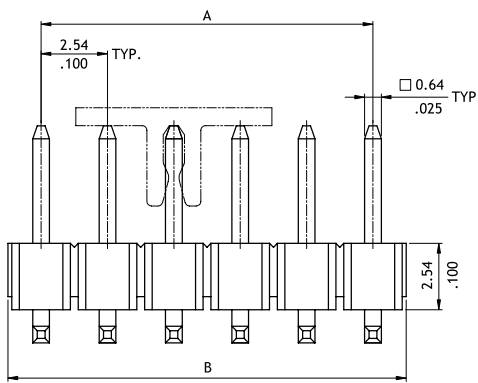
**CH81 Series 2.54mm(.100") Dual Row SMT Pin Headers**

© Mates with CB83, CB85, CB87, CB91, CB94, CB96 and CB97 series



A = 2.54x No. of Spaces  
B = A + 2.36

Option Code	Pin Dimension		
	C	D	F
00	8.80(.346)	3.4(.134)	7.4(.291)
01	6.0(.236)	3.4(.134)	7.4(.291)
02	6.0(.236)	3.81(.150)	7.4(.291)



Recommended P.C. Board Layout

**Ordering Code**

**① C H 8 1    ② 8 0    ③ 2    ④ M    ⑤ 1    ⑥ 0 0 - 0 0    ⑦**

- ① Series No.
- ② Circuits: 04 to 80
- ③ Plating code: 2= Gold flash over Nickel
- ④ Tail Style: M= Straight SMT Type
- ⑤ Insulator Material & Color: 1= Nylon 6T, Color Black
- ⑥ Other options: 00= Standard  
\* See option code table  
\* Consult manufacturer for customized pin length
- ⑦ Packing: 00= Without Pick & Place Pad (Tube)  
0P= With Pick & Place Pad (Tape & Reel)

CH

BOARD TO BOARD